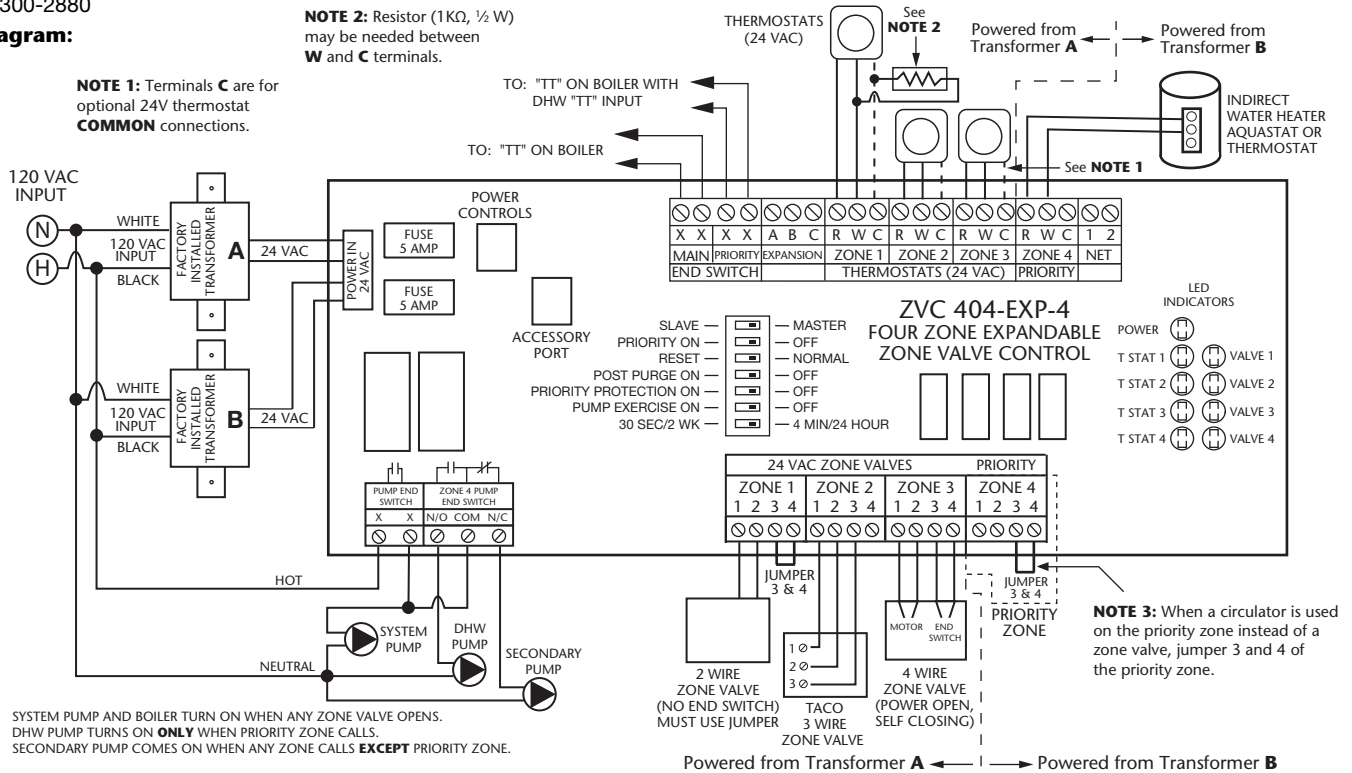


SUPERSEDES: March 1, 2013

EFFECTIVE: December 20, 2013

Plant ID# 9300-2880

Wiring Diagram:



Operation/External Diagnostics: When any thermostat calls for heat, the appropriate zone valve is energized and the yellow light goes on. When the zone valve is fully open, the red light goes on and energizes the end switch relay. The green light should always be on, indicating that power is connected.

Priority Operation: When the priority dip switch is set to ON and the priority zone is actuated, all other zones will stop operation until priority zone is satisfied. When not switched to priority, all zones will operate independently.

Mode Operation: When the dip switch is set to NORMAL, the end switch relay will be energized if any zone is in operation. When the switch is set to RESET, the end switch relay will only be energized if the priority zone is in operation, or through the operation of a plug-in reset control.

Post Purge Operation: When the dip switch is set to ON, the priority zone output will stay energized for 2 minutes after its thermostat or aquastat is satisfied, but not operate the boiler.

Priority Protection Operation: When the dip switch is set to ON, and if the priority zone calls continuously for more than one hour, power is returned to all the other zones, allowing each zone to function independently. Once the priority zone is satisfied, the control's auto-reset is activated and the priority zone is again allowed to have priority for up to one hour starting from when it calls next.

Pump Exercise Operation: When the dip switch is set to ON, the solid state timer cycles all the zone valves and circulating pumps that are attached to the Expandable Zone Valve Control at the selected time interval. The time interval can be set for the valves and pumps to run for either 30 seconds every 2 weeks or for 4 minutes every 24 hours.

End Switches (Dry Contacts): The main end switch closes when any zone thermostat calls for heat and the mode switch is set to NORMAL. The main end switch also closes when the mode switch is set to RESET and a PC Series boiler reset power control is calling for heat. The priority end switch closes only when the priority zone thermostat or aquastat is calling for heat.

Expansion Connections: Set the expansion switch to MASTER on the switching relay that has the designated priority zone or is utilizing the PC Series plug-in option. Set all other daisy chained controls to SLAVE. Using thermostat wire (18-22 gauge) connect between terminals A, B, C on the master control to the corresponding A, B, C on the SLAVE control(s). Controls may be daisy chained up to 20 zoning panels using any combination of -EXP controls (120 zones if all are 6 zone panels).

Thermostat Input (24 vac):

- R** Hot side of transformer. Connect to **R** on thermostat.
- W** Switched **R** signal from thermostat. Connect to **W** on thermostat.
- C** Common side of transformer. Connect to **COM** on thermostat (optional).
- NET** Network terminals 1 & 2 are tied together for wiring convenience when using communicating style thermostats (optional).

Power Input (120 vac):

Connect neutral (white) leads on transformers to 120 volts ac neutral power supply.
Connect hot (black) leads on transformers to 120 volts ac hot power supply.

Pump End Switch (Dry Contacts):

Connect hot power supply to the right side of the pump end switch terminal on board.
Connect hot input lead of the circulator to the left side of the pump end switch terminal on board.

Zone 4 Pump End Switches (Dry Contacts):

- N/O** Normally open terminal of the priority zone relay.
- COM** Common terminal of the priority zone relay.
- N/C** Normally closed terminal of the priority zone relay.

End Switch Pump Neutral Connections:

Connect neutral power supply directly to neutral lead on circulator(s).

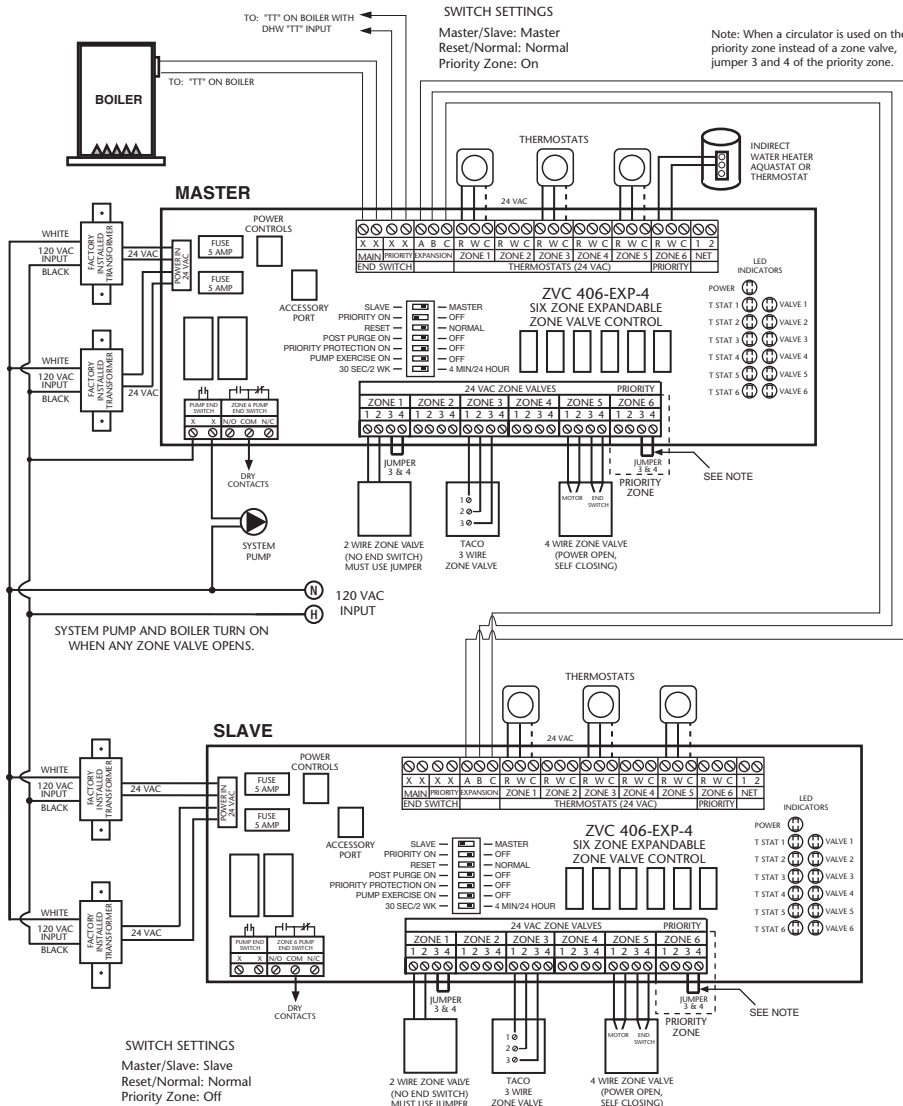
Specifications:

PRODUCT NUMBER	NUMBER OF ZONES	INPUT VOLTAGE	MAX 24 VAC OUTPUT @ 25°C	TYPE 1 ENCLOSURE WIDTH	HEIGHT	DEPTH
ZVC404-EXP-4	4 with Priority	120/60/1 VAC, 3A	24 VA per Zone 40 VA per Transformer	12 1/4"	8"	3"

The pump end switches are rated ½ hp, 5 amps at 120 VAC. The main and priority end switch connections are rated 24 VAC, 1 amp. All thermostat and zone valve connections supply a 24 VAC class 2 output.

WARNING: Wiring connections must be made in accordance with all applicable electrical codes. Use copper wire only. 120 VAC wiring must have a minimum temperature rating of 75°C. Failure to follow this instruction can result in personal injury or death and/or property damage. 12-18 gauge wire recommended for 120 VAC connections, 14-22 gauge wire for thermostat connections, and 14-22 gauge wire for 24 VAC source connections.

2 EXP Zone Valve Controls Connected Together with System Pump



Troubleshooting:

- Problem:** Digital thermostats do not work correctly when connected to a zone valve control.
- Solution:** Some thermostats are a "Power Stealing" type which means they are powered by the zone control with just 2 wires (R & W). A resistor may be needed in order to have the thermostat work properly. This resistor should be placed between the W & C (common) terminals of the zone control. If the thermostat manufacturer does not supply a resistor, a 1000 ohm 1/2 watt resistor has proven to work with most models and is readily available at electronic supply outlets (e.g. Radio Shack). If the thermostat is battery powered, then check that the batteries are fresh and installed correctly.
- Problem:** No heat in a zone or room of building.
- Solution:** LED diagnostic lights will help find a component that is not working properly. The green LED should always be on, indicating that power is connected and the fuse is good. When there is a call for heat, the yellow LED will come on indicating power to the zone valve. This indicates the thermostat is working correctly. When the zone valve fully opens and its end switch makes contact, the red LED will come on, the boiler turns on and a circulator will start if connected to the zone control.

For information on Taco's Zone Valve Controls (ZVC) including catalog sheet, instruction sheets, Visio stencils and our highly praised Zone Controls Wiring Guide, scan the QR code to the right or go to our website: <http://www.taco-hvac.com>.



Dip Switch Settings

SLAVE —	<input type="checkbox"/>	— MASTER
PRIORITY ON —	<input type="checkbox"/>	— OFF
RESET —	<input type="checkbox"/>	— NORMAL
POST PURGE ON —	<input type="checkbox"/>	— OFF
PRIORITY PROTECTION ON —	<input type="checkbox"/>	— OFF
PUMP EXERCISE ON —	<input type="checkbox"/>	— OFF
30 SEC/2 WK —	<input type="checkbox"/>	— 4 MIN/24 HOUR

LIMITED WARRANTY STATEMENT

Taco, Inc. will repair or replace without charge (at the company's option) any product or part which is proven defective under normal use within three (3) years from the date of start-up or three (3) years and six (6) months from date of shipment (whichever occurs first).

In order to obtain service under this warranty, it is the responsibility of the purchaser to promptly notify the local Taco stocking distributor or Taco in writing and promptly deliver the subject product or part, delivery prepaid, to the stocking distributor. For assistance on warranty returns, the purchaser may either contact the local Taco stocking distributor or Taco. If the subject product or part contains no defect as covered in this warranty, the purchaser will be billed for parts and labor charges in effect at time of factory examination and repair.

Any Taco product or part not installed or operated in conformity with Taco instructions or which

has been subject to misuse, misapplication, the addition of petroleum-based fluids or certain chemical additives to the systems, or other abuse, will not be covered by this warranty.

If in doubt as to whether a particular substance is suitable for use with a Taco product or part, or for any application restrictions, consult the applicable Taco instruction sheets or contact Taco at [401-942-8000].

Taco reserves the right to provide replacement products and parts which are substantially similar in design and functionally equivalent to the defective product or part. Taco reserves the right to make changes in details of design, construction, or arrangement of materials of its products without notification.

TACO OFFERS THIS WARRANTY IN LIEU OF ALL OTHER EXPRESS WARRANTIES. ANY WARRANTY IMPLIED BY LAW INCLUDING WARRANTIES OF MERCHANTABILITY OR FIT-

NESS IS IN EFFECT ONLY FOR THE DURATION OF THE EXPRESS WARRANTY SET FORTH IN THE FIRST PARAGRAPH ABOVE.

THE ABOVE WARRANTIES ARE IN LIEU OF ALL OTHER WARRANTIES, EXPRESS OR STATUTORY, OR ANY OTHER WARRANTY OBLIGATION ON THE PART OF TACO.

TACO WILL NOT BE LIABLE FOR ANY SPECIAL, INCIDENTAL, INDIRECT OR CONSEQUENTIAL DAMAGES RESULTING FROM THE USE OF ITS PRODUCTS OR ANY INCIDENTAL COSTS OF REMOVING OR REPLACING DEFECTIVE PRODUCTS.

This warranty gives the purchaser specific rights, and the purchaser may have other rights which vary from state to state. Some states do not allow limitations on how long an implied warranty lasts or on the exclusion of incidental or consequential damages, so these limitations or exclusions may not apply to you.



Taco, Inc., 1160 Cranston Street, Cranston, RI 02920 | Tel: (401) 942-8000 | FAX: (401) 942-2360

Taco (Canada), Ltd., 8450 Lawson Road, Suite #3, Milton, Ontario L9T 0J8 | Tel: (905) 564-9422 | FAX: (905) 564-9436

Visit our web site: www.TacoComfort.com | Printed in USA | ©2015 Taco, Inc.

