



Submittal Data Information

0015e3[®] ECM High-Efficiency Circulator

101-201

Effective: February 1, 2023

Supersedes: August 16, 2021

Job: _____ Engineer: _____ Contractor: _____ Rep: _____

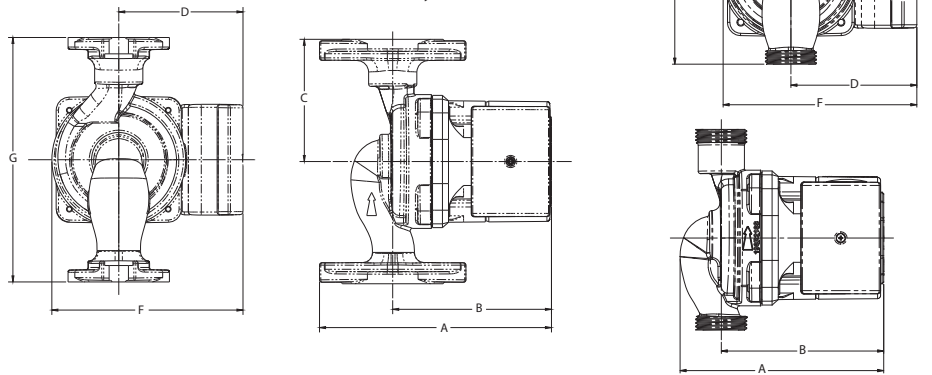
ITEM NO.	MODEL NO.	

Specifications

- Max. Shut-off Head: 18 feet
- Max. Flow: 16 gpm
- Max. Operating Pressure:
 - Cast Iron: 125 psi (8.6 bar)
 - Stainless Steel: 150 psi (10 bar)
- Max. Water Temp: 230°F (110°C)
- Min. Water Temp: 36°F (2°C)
- Electrical specifications:
 - Voltage: 120V, 60 Hz
 - Single phase
 - Max. Operating Power: 44W
 - Max. AMP Rating: 0.54
- Cast iron casing suitable for closed loop systems only
- Stainless steel casing suitable for potable water or open systems
- Not suitable for chilled water
- Taco circulator pumps are for indoor use only
- Acceptable for use with water or maximum of 50% water/glycol solution

Applications

The 0015e3 is a variable speed, high-efficiency wet rotor circulator with an ECM permanent magnet motor. Its ECM performance is equivalent to the Taco 0015 3-Speed circulator. It is ideal for hydronic systems zoned with circulators or zone valves or used on potable water systems for domestic water recirculation. The 0015e3 is not suitable for chilled water systems.



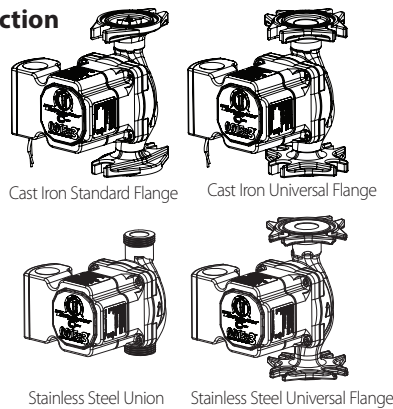
Pump Dimensions & Weights

Model Number	Connection Type	Casing	A		B		C		D		F		G		Ship Wt. lbs. Kg
			in.	mm	in.	mm	in.	mm	in.	mm	in.	mm			
0015e3-2F2	Standard	CI	6	152	4-1/8	104	3-3/16	80	3-1/4	82	5	126	6-3/8	161	5.8 2.6
0015e3-2F4	Universal	CI	6	152	4-1/8	104	3-3/16	80	3-1/4	82	5	126	6-3/8	161	6 3.7
0015e3-SF4	Universal	SS	6	152	4-1/8	104	3-3/16	80	3-1/4	82	5	126	6-3/8	161	5.5 2.5
0015e3-SU	Union	SS	5-1/6	131	4-1/8	104	3-3/16	80	3-1/4	82	5	126	5-1/8	130	4.6 2.1

Materials of Construction:

Casing: Cast Iron or
 Stainless Steel
 Stator Housing: Composite
 Cartridge: Composite
 Impeller: Composite
 Shaft: Ceramic
 Bearings: Carbon
 Thrust Bearing: Ceramic
 O-Ring & Gaskets: EPDM

Connection Types



HYDRAULIC ENERGY INSTITUTE RATING

WAIP: 0.071

Model #: 0015e

CIRCULATOR PUMP CEI: 0.39 (ER 188)

ENERGY RATING

Note: The ER value is dependent on the selected control. Multiple options may be available on this pump, as follows:

- Full Speed
- Pressure (Rated)

Power savings (watts) over a baseline case can be estimated by multiplying the ER by WAIP and multiplying by 7.46. Multiplying power savings by operating hours and cost of energy will yield estimated cost savings.

Q1PX2X er.pumps.org Apr 2021

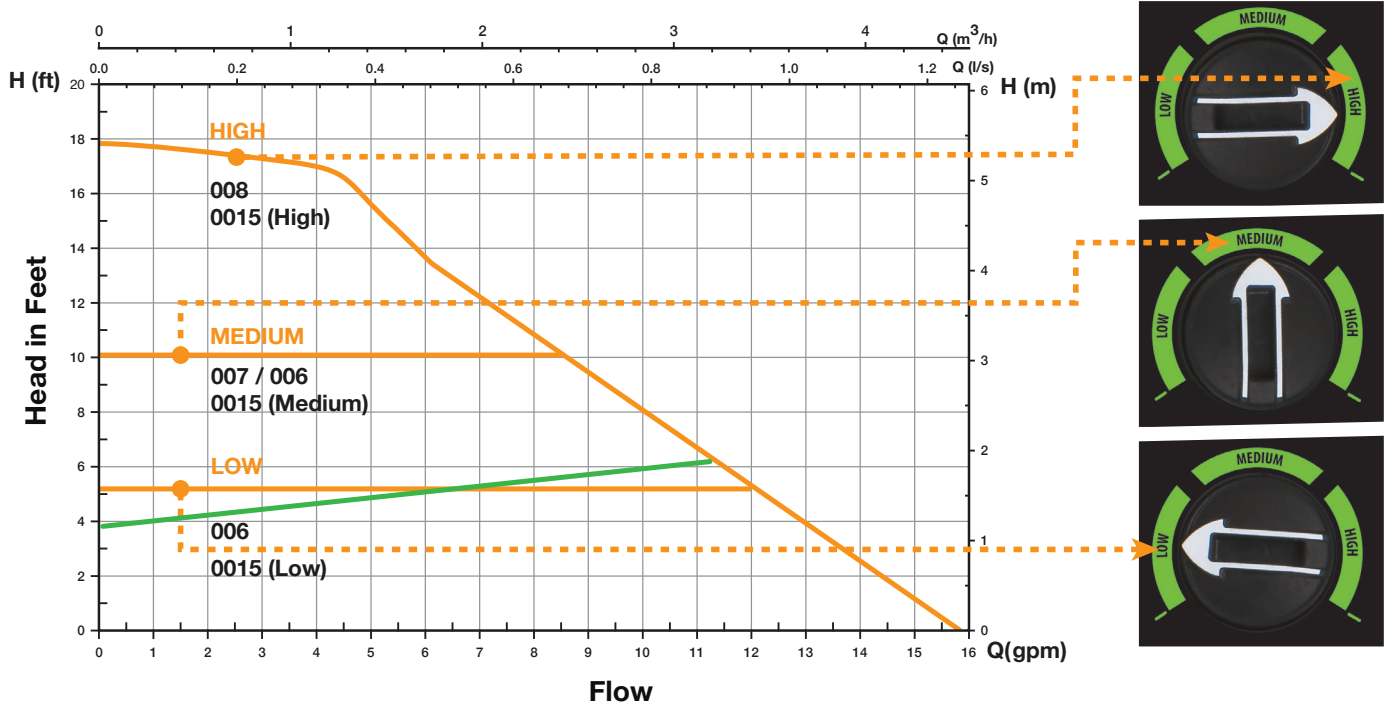


Stainless Steel models only

Electrical Data

Model	Volts	Hz	Ph	Max. Amps	Max. Watts	RPM
All Models	120	60	1	.54	44	1590-4830
Motor Type	ECM, Permanent Magnet, Thermally Protected					

Performance Curves



The 0015e3 circulator provides three constant pressure settings to match system requirements. Selection options are **LOW** (5 feet), **MEDIUM** (10 feet), or **HIGH** (18 feet). See chart above for the equivalent 00® model at each setting.

The 0015e3 performance curves are ideal for hydronic zoning to reduce velocity noise or banging of zone valves closing against high head pressure circulators.

Hydronic Heating Setting Selection Guide: Longest circuit in the system

- LOW = 85 ft. x 3/4" copper
- MEDIUM = 165 ft. x 3/4" copper
- HIGH = 245 ft. x 3/4" copper

Domestic Hot Water Selection Guide: Recirculation piping lengths

- LOW = 200 ft.
- MEDIUM = 500 ft.
- HIGH = 1,000 ft.

Taco Comfort Solutions® A Taco Family Company

Taco, Inc., 1160 Cranston Street, Cranston, RI 02920 | Tel: (401) 942-8000

Taco (Canada), Ltd., 8450 Lawson Road, Suite #3, Milton, Ontario L9T 0J8 | Tel: (905) 564-9422

Visit our web site: www.TacoComfort.com | Printed in USA | ©2023 Taco, Inc.

